

universal reflected light photo sensor

M 30 x 1,5 threaded cylinder

sensing range dependent on glass fibre optic used
with polarisation filter up to 2.500 mm adjustable

Electrical data

operating voltage :	12 - 30 VDC
max. residual ripple :	10 %
polarity reversal protection :	built in
power consumption (no load) :	45 mA
power supply in switched position (without output current) :	47 mA
output current :	200 mA
short circuit protection :	built in
switching frequency :	15 / 300 Hz 1 Khz/ 5 Khz
min. response time on :	33 / 1,7 / 0,5 / 0,1 ms
min. response time off :	33 / 1,7 / 0,5 / 0,1 ms
power control :	LED green
output signal indicator :	LED yellow
intensity control:	LED red

sensitivity adjustment :	potentiometer
reference material :	with 400 x 400 mm
used light :	IR 880 nm
hysteresis :	10 %
interfering light	unaffected

Physical data

casing :	brass nickel plated
protection :	IP 65
weight :	330 g
ambient temperature range :	-10°C... + 60 °C
cable or plug connection	

order codes : EFS 2100

e.g. : Infrared photo sensor - N.O./N.C. - PNP/NPN - standard - plug L4 (M12)

type : EFS 2100 - 1 1 1 1 2

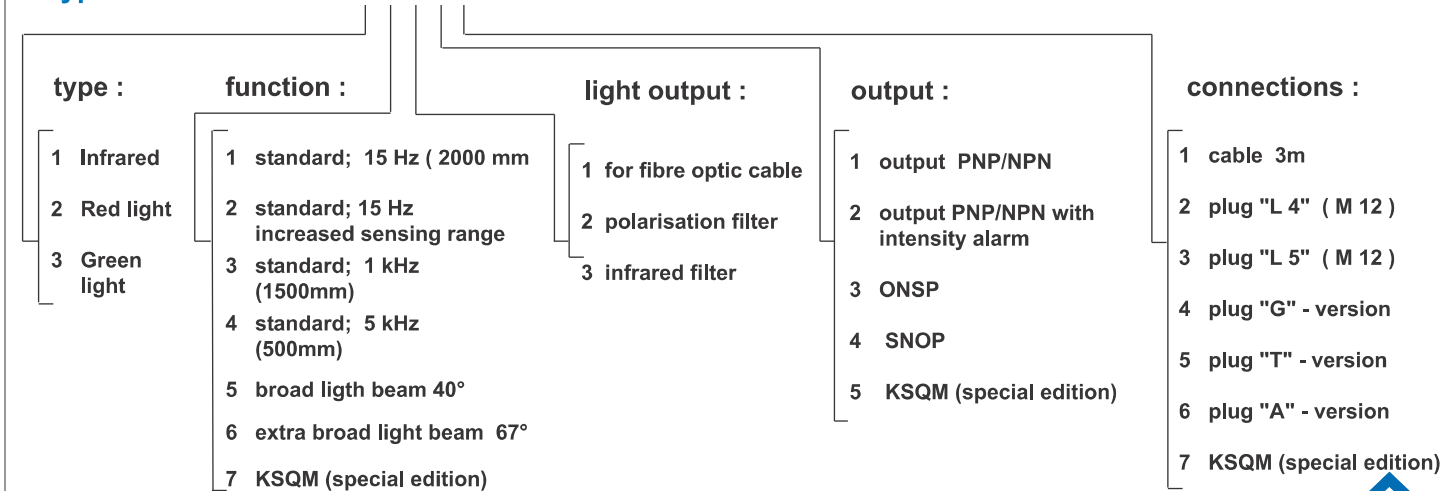
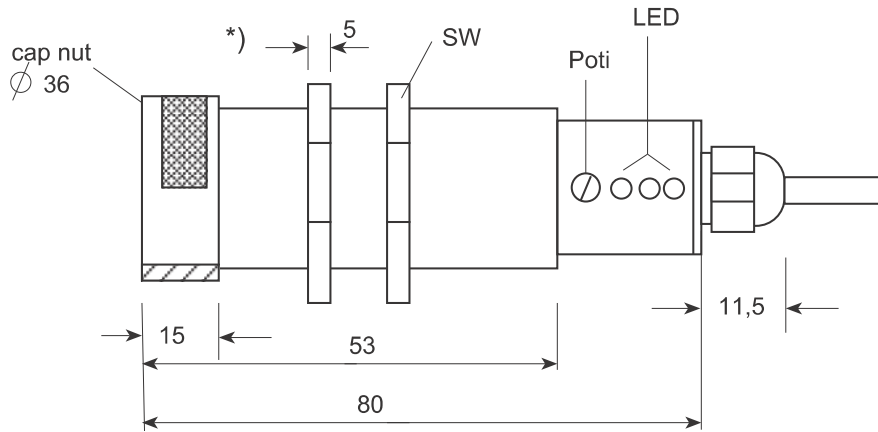


Photo Sensor EFS 2100

universal reflected light photo sensor

Dimensions:



Version 1: cable 3m



Version 2: plug "L4/L5"



Version 4: plug "G"

- M30 threaded cylinder
- highest INTENSITY
- sensing range up to 2.500 mm
- with INFRARED-, RED- or GREENLIGHT available

Connections		SN/OP	ON/SP
<p>front switches</p> <p>Switch to reduce the sensing range to one half. The sensing range can then be adjusted more exactly, as the resolution of the potentiometer will be increased.</p> <p>Inverting switch to change between NC and NO output.</p>		<p>NC - switching positiv</p> <p>NO - switching negativ</p>	<p>NO - switching positiv</p> <p>NC - switching negativ</p>



electromagnetic compatibility
emission standard / immunity standard

EN 50081 - 1 / EN 50082 - 2



These proximity switches are not suited for safety related applications .